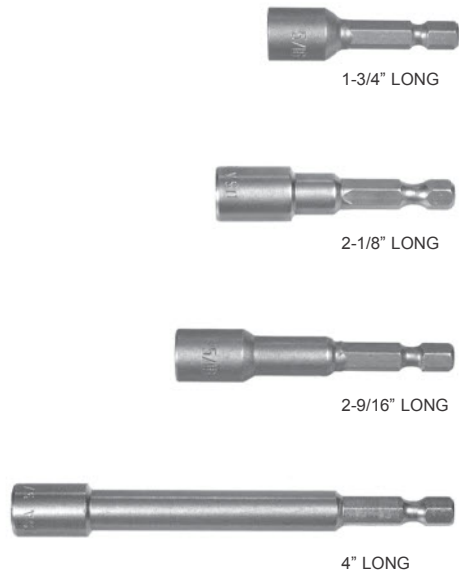
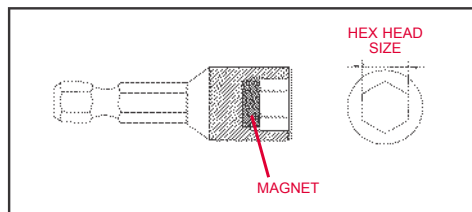


**ACCESSORIES**
**DRILLING & CUTTING PRODUCTS**

# MAGNETIC NUT SETTERS



- 1PC. CONSTRUCTION
- 1/4" HEX SHANK



## MAGNETIC NUT SETTERS

PART NUMBER	HEX HEAD SIZE	x	LENGTH	DESCRIPTION	PRICE EACH
NS-042-16	1/4"	x	1-3/4"	MAG. NUT SETTER	\$2.39
NS-053-16	1/4"	x	2-1/8"	MAG. NUT SETTER	\$2.66
NS-065-16	1/4"	x	2-9/16"	MAG. NUT SETTER	\$2.86
NS-075-16	1/4"	x	4"	MAG. NUT SETTER	\$6.14
NS-085-16	1/4"	x	6"	MAG. NUT SETTER	\$7.53

NS-042-20	5/16"	x	1-3/4"	MAG. NUT SETTER	\$2.53
NS-053-20	5/16"	x	2-1/8"	MAG. NUT SETTER	\$2.89
NS-065-20	5/16"	x	2-9/16"	MAG. NUT SETTER	\$3.14
NS-075-20	5/16"	x	4"	MAG. NUT SETTER	\$7.06
NS-085-20	5/16"	x	6"	MAG. NUT SETTER	\$10.86

NS-042-24	3/8"	x	1-3/4"	MAG. NUT SETTER	\$3.22
NS-053-24	3/8"	x	2-1/8"	MAG. NUT SETTER	\$3.99
NS-065-24	3/8"	x	2-9/16"	MAG. NUT SETTER	\$4.17
NS-075-24	3/8"	x	4"	MAG. NUT SETTER	\$8.08
NS-085-24	3/8"	x	6"	MAG. NUT SETTER	\$13.58

NS-042-28	7/16"	x	1-3/4"	MAG. NUT SETTER	\$6.64
NS-053-28	7/16"	x	2-1/8"	MAG. NUT SETTER	\$7.25
NS-065-28	7/16"	x	2-9/16"	MAG. NUT SETTER	\$7.56

NS-042-32	1/2"	x	1-3/4"	MAG. NUT SETTER	\$7.30
NS-065-32	1/2"	x	2-9/16"	MAG. NUT SETTER	\$8.32



**NEW**

Use Lobular Nut Setters on coated hex head screws and bolts to prevent paint stripping.

## MAGNETIC NUT SETTERS (LOBULAR)

PART NUMBER	HEX HEAD SIZE	x	LENGTH	DESCRIPTION	PRICE EACH
LB-042-16	1/4"	x	1-3/4"	LOBULAR MAG. NUT SETTER	\$3.85
LB-065-16	1/4"	x	2-9/16"	LOBULAR MAG. NUT SETTER	\$4.15

LB-042-20	5/16"	x	1-3/4"	LOBULAR MAG. NUT SETTER	\$3.90
LB-065-20	5/16"	x	2-9/16"	LOBULAR MAG. NUT SETTER	\$4.45

LB-042-24	3/8"	x	1-3/4"	LOBULAR MAG. NUT SETTER	\$4.06
LB-065-24	3/8"	x	2-9/16"	LOBULAR MAG. NUT SETTER	\$4.92